

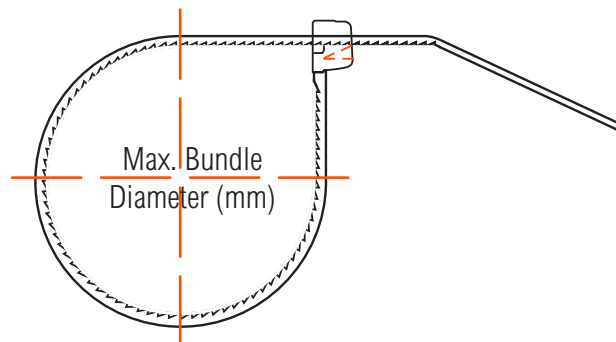
# Coloured Cable Ties

## Wide Range

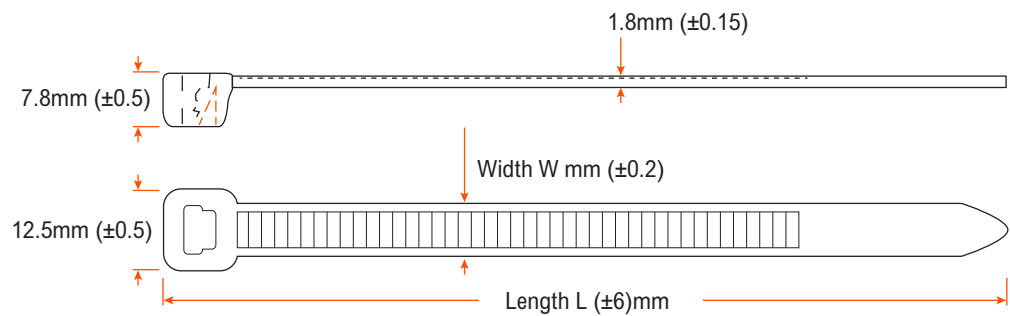


- **Material:**
- **Feature:**
- **Application:**
- **Operating Temperature:**

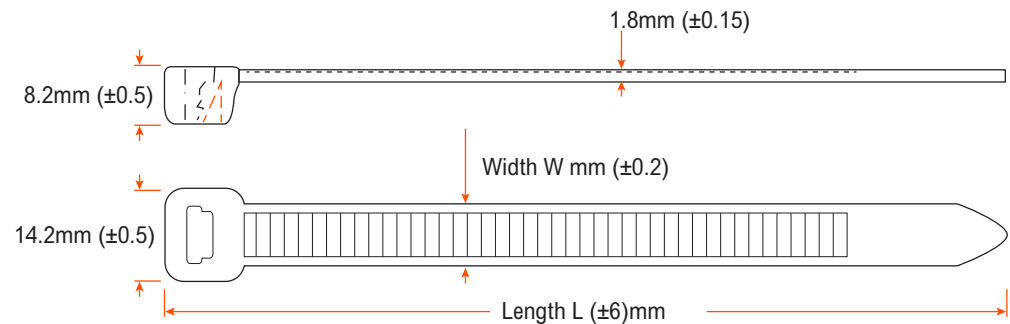
UL approved Nylon 66, 94V-2.  
 High tensile strength with low insertion force.  
 Excellent resistance to weathering and ageing.  
 Suitable for a multitude of uses in various industries.  
 Self-locking for fast and easy application.  
 -40°C to +85°C.



### 7.6mm Wide



### 9.0mm Wide



See product technical table on next page

# Coloured Cable Ties

## Wide Range

Item No.	Colour	Width W (mm)	Length L (mm)	Max. Bundle Diameter (mm)	Min. Tensile Strength (kg)
CT11-BLUE	Blue	7.6	370	101	55
CT11-BROWN	Brown	7.6	370	101	55
CT11-GREEN	Green	7.6	370	101	55
CT11-ORANGE	Orange	7.6	370	101	55
CT11-PURPLE	Purple	7.6	370	101	55
CT11-RED	Red	7.6	370	101	55
CT11-SILVER	Silver	7.6	370	101	55
CT11-YELLOW	Yellow	7.6	370	101	55
CT15-BLUE	Blue	9.0	450	128	80
CT15-BROWN	Brown	9.0	450	128	80
CT15-GREEN	Green	9.0	450	128	80
CT15-ORANGE	Orange	9.0	450	128	80
CT15-PURPLE	Purple	9.0	450	128	80
CT15-RED	Red	9.0	450	128	80
CT15-SILVER	Silver	9.0	450	128	80
CT15-YELLOW	Yellow	9.0	450	128	80
CT16-BLUE	Blue	9.0	550	160	80
CT16-BROWN	Brown	9.0	550	160	80
CT16-GREEN	Green	9.0	550	160	80
CT16-ORANGE	Orange	9.0	550	160	80
CT16-PURPLE	Purple	9.0	550	160	80
CT16-RED	Red	9.0	550	160	80
CT16-SILVER	Silver	9.0	550	160	80
CT21-YELLOW	Yellow	9.0	550	160	80
CT21-BLUE	Blue	9.0	762	227	80
CT21-BROWN	Brown	9.0	762	227	80
CT21-GREEN	Green	9.0	762	227	80
CT21-ORANGE	Orange	9.0	762	227	80
CT21-PURPLE	Purple	9.0	762	227	80
CT21-RED	Red	9.0	762	227	80
CT21-SILVER	Silver	9.0	762	227	80
CT21-YELLOW	Yellow	9.0	762	227	80